



Mini Grapple Bucket

For

Mini Skid Steer Loaders

And

Mini Track Loaders

Operator's Manual

Maintenance

Parts Information



Read this Manual Before Use

TABLE OF CONTENTS

| | |
|------------------------------|-------|
| SAFETY | 3-4 |
| SERIAL NUMBER/DECAL LOCATION | 5-6 |
| USER'S MOUNTING INSTRUCTIONS | 7-8 |
| OPERATING INSTRUCTIONS | 9 |
| ROUTINE MAINTENANCE | 10 |
| PARTS INFORMATION | 11-13 |
| GENERAL SPECIFICATIONS | 14 |
| WARRANTY | 15 |

REFERENCE INFORMATION

Write the serial number for your attachment in the spaces below. Always refer to this serial number when calling for service or parts.

Serial Number....._____

YOUR ATTACHMENT DEALER

ADDRESS:

PHONE:

CONTACT:

NOTE: *Erskine Attachments LLC reserves the right to make improvements in design or changes in specifications at any time without notice and without incurring any obligations to install them on units previously sold.*

SAFETY

DO NOT use or perform maintenance on this machine until this manual has been read and understood. In addition, read the Operation and Maintenance Manual(s) pertaining to the attachment and the attachment carrier (“Loader”).

The user is responsible for inspecting the machine daily, and for having parts repaired or replaced when continued use of the machine would cause damage, excessive wear to other parts or make the machine unsafe for continued operation.

If an operating procedure, tool device, maintenance or work method not specifically recommended is used, you must satisfy yourself that it is safe for you and others. You must also ensure that the attachment will not be damaged or made unsafe by the procedures you choose.

Erskine Attachments LLC cannot anticipate every possible circumstance that might involve potential hazard. The safety messages found in this manual and on the machine are therefore not all inclusive.

Throughout this manual, reference may be made to the left hand (LH) and right hand (RH) side. These terms are used as viewed from the operator’s seat facing front.

The signal words **CAUTION**, **WARNING**, or **DANGER** are used to indicate hazards.

⚠ CAUTION Indicates a potentially hazardous situation which, if not avoided, may result in minor or moderate injury.

⚠ WARNING Indicates a potentially hazardous situation which, if not avoided, could result in death or serious injury.

⚠ DANGER Indicates a potentially hazardous situation which, if not avoided, will result in death or serious injury.

The word **IMPORTANT** is used in the text when immediate damage will occur due to improper technique or operation.

The word **NOTE** is used to convey information that is out of context with the manual text; special information such as specifications, techniques, reference information, and other information of a supplementary nature.

Improper operation can cause serious injury or death.

Pre-operation

- This attachment is designed for handling construction and natural debris only. **NEVER** use this attachment for any other purpose.
- Read the operator's manual for the "Skid Steer Loader." **NEVER** allow untrained people to operate.
- Operating instructions must be given to everyone before operating this attachment and at least once a year thereafter in accordance with OSHA regulations.
- **NEVER** exceed the maximum recommended input power or speed specifications for the attachment. Over-powering or over-speeding the attachment may cause personal injury and/or machine damage.
- Keep all shields, guards, and covers in place.
- Do not modify equipment or add attachments that are not approved by Erskine Attachments LLC.
- Use adequate safety warning lights and devices as required by local regulations. Obey all local laws and regulations regarding machine operation on public property.

Operation

- Always wear eye protection that meets ANSI z87.1 standard or use with an enclosure that provides similar protection.
- Hydraulic connections may be hot after use. Use gloves if connecting or disconnecting after use.
- Check and be sure all operating controls are in neutral before starting the engine.
- Keep people away from loader and attachment when in use. This attachment lifts objects and has moving parts. **NEVER** lift load directly over people – load could fall.
- Always stay in the operator position when using the attachment.

Operation (continued)

- To avoid electric shock or electrocution, **NEVER** operate the attachment near overhead power lines.
- **NEVER** operate near embankments or terrain that is so steep that rollover could occur.
- Before leaving the operators position, disengage hydraulic drive, lower the attachment to rest flat on the ground, stop engine, set park brake, and wait for all motion to stop.
- **NEVER** place hands near moving parts or clear debris while engine is running.
- **NEVER** lift people.

Avoid High Pressure Fluids Hazard



- Escaping fluid under pressure can penetrate the skin causing serious injury.
- Avoid the hazard by relieving the pressure before disconnecting hydraulic lines.
- Use a piece of paper or cardboard, NOT BODY PARTS, to check for suspected leaks. Wear protective gloves and safety glasses or goggles when servicing or performing maintenance on hydraulic systems.
- If an accident occurs, see a doctor immediately. Any fluid injected into the skin must be surgically removed within a few hours or gangrene may result.

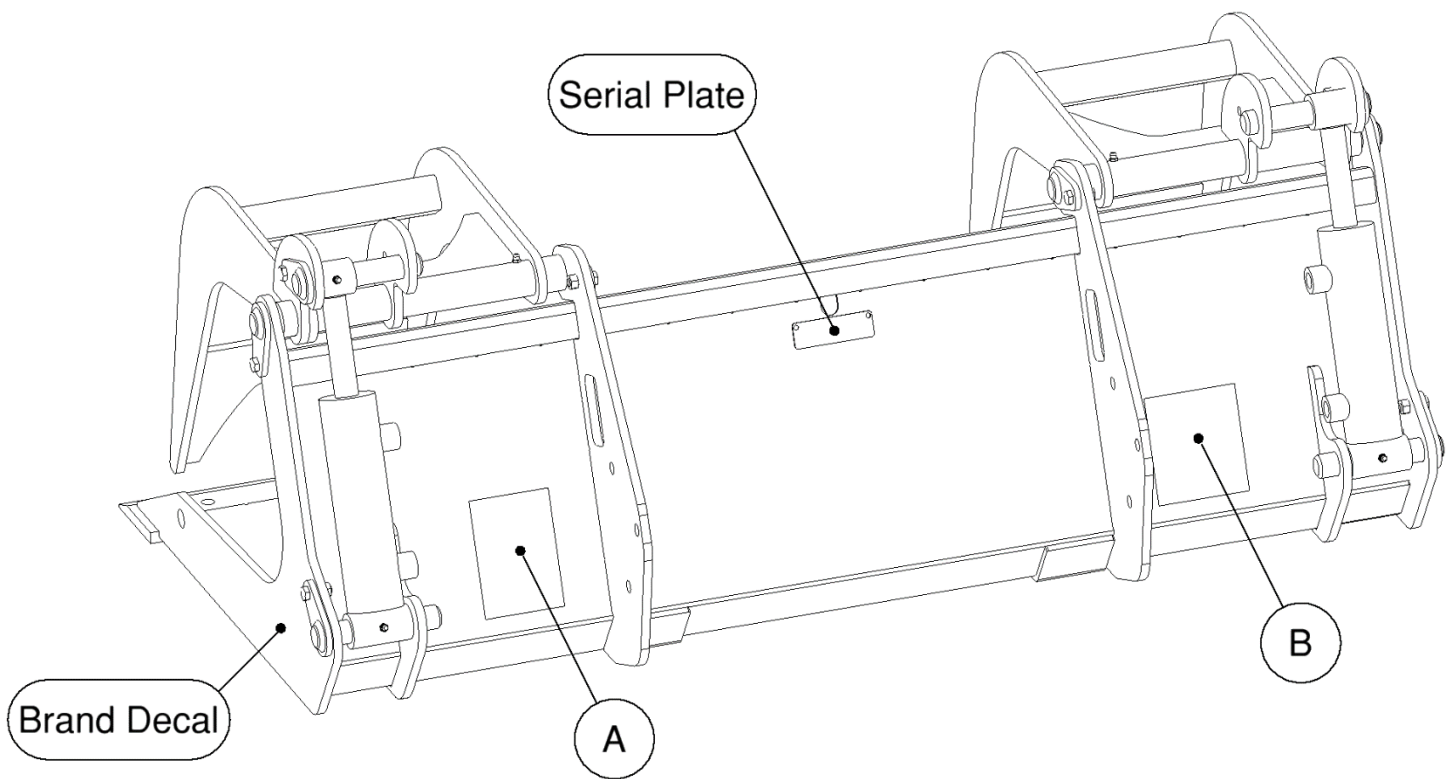
Maintenance

- **NEVER** make adjustments, lubricate, clean, or perform any service on the machine while it is in operation.
- Make sure the attachment is serviced on a daily basis. Improper maintenance can cause serious injury or death in addition to damage to the attachment and/or your equipment.

SERIAL NUMBER AND SAFETY DECAL LOCATIONS

Serial Number Location:

It is important to refer to the serial number of the attachment when making repairs or ordering parts. Early or later models (identification made by serial number) may use different parts, or it may be necessary to use different procedures in doing a specific operation.



SERIAL NUMBER AND SAFETY DECAL LOCATIONS



Part number: 200001

Location: On back of bucket, left side

Quantity: 1



Part number: 330901

Location: On back of bucket, right side

Quantity: 1

Mini Brand Decal

Location: On each endplate

Quantity: 2

Safety Decals Locations:

The locations of the safety decals are shown. If these decals are missing, damaged, or painted over they must be replaced. Call Erskine Attachments LLC (218-435-4045) for replacement decals.

USER'S MOUNTING INSTRUCTIONS

After the initial set-up assembly is completed use the following procedure to mount the attachment to the loader for user operation.

⚠ WARNING Coupler wedges or pins must extend through holes in attachment. Levers must be fully down and locked. Failure to secure wedges or pins can allow the attachment to come off and cause injury or death.

IMPORTANT: This attachment is not designed to be used on loaders with a Rated Operating Capacity (ROC) of more than 1000 pounds.

Instructions for mounting to a ride-on mini skid steer:

1. Use the step, safety treads, and grab handles to get on and off the loader and attachment.
2. Sitting in the operator's seat, lower the seat bar, fasten the seat belt, make sure all controls are in neutral, and start the engine.
3. Drive the loader to the rear of the attachment. Put the loader quick attach coupler into the attachment mounting bracket.
4. Tilt the loader coupler back a small amount until it is fully engaged with the attachment mounting bracket.
5. Stop the engine and engage the park brake.
6. Exit the loader and secure the coupler locking mechanism that locks the attachment to the loader.

Instructions for mounting to a walk-behind mini skid steer:

1. Standing at the operator's station, make sure all controls are in neutral, and start the engine.
2. Drive the loader to the rear of the attachment. Put the loader quick attach coupler into the attachment mounting bracket.
3. Tilt the loader coupler back a small amount until it is fully engaged with the attachment mounting bracket.
4. Stop the engine and engage the park brake.
5. Walk to the front of the loader and secure the coupler locking mechanism that locks the attachment to the loader.

USER'S MOUNTING INSTRUCTIONS

Connecting Hydraulics:

1. Connect the hydraulic quick couplers from the attachment to the loader.

IMPORTANT: Wipe the ends of the hydraulic quick couplers (both lead and loader) with a rag to remove any possible contamination. Contamination can cause hydraulic components to fail and is not covered under warranty.

IMPORTANT: Make sure the quick couplers are fully engaged. If the quick couplers do not fully engage, check to see that the couplers are the same size and brand. Do not force the quick couplers together.

NOTE: See the loader's operator's manual for auxiliary hydraulic specifications and connection instructions.

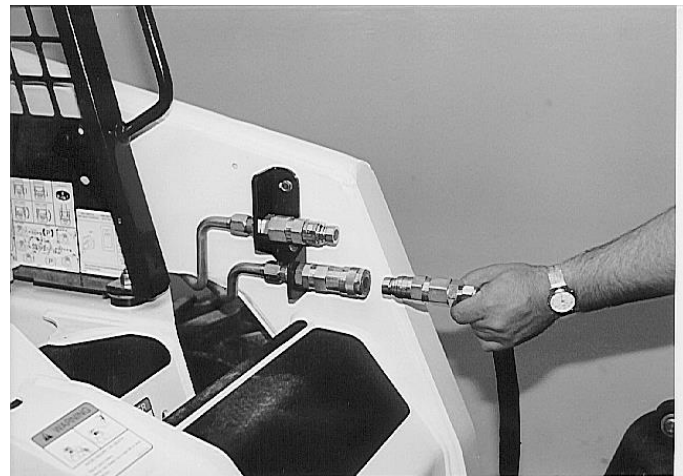
NOTE: Attachment is shipped with 8FJX (3/4" Female JIC Swivel) fittings on the ends of the lead hoses.

2. Make sure the hoses are properly routed to fit your specific loader. If the hoses are not routed correctly, hoses may get pinched or rub on tires. Be sure to check the hose routing through the full range of intended motion of the attachment before operating it.

More than one routing may be acceptable depending on the loader. Pick the routing that best suits your specific loader.

IMPORTANT: Proper hose routing is the responsibility of the owner and/or operator. Pinched or stretched hoses are not covered under warranty.

Mounting is now complete and the attachment is ready for operation. Use the above instructions in the reverse order to dismount the attachment from the loader.



OPERATING INSTRUCTIONS



1. With the operator in the seat of the loader, the seat belt fastened, and the seat bar lowered (if so equipped), start the engine.
2. Raise the attachment slightly off of the ground.
3. Activate the auxiliary hydraulic system to open and close the grapple in order to pick, up and move debris/objects.

⚠ WARNING If the grappled object becomes unstable or unbalanced, lower the attachment to the ground and repeat the grapping process until the object being lifted remains stable the entire time it is being lifted and moved. Always lower the object to the ground before opening the bucket to release it.

⚠ WARNING To avoid injury or death, do not allow any person to be directly under the attachment or load at any time.

⚠ CAUTION Carry load as low as possible to avoid serious injury or death from tipping or falling load.





ROUTINE MAINTENANCE

⚠ WARNING Lower the attachment to rest flat on the ground, shut down the engine, relieve the hydraulic pressure to the attachment, set the park brake, and wait for all motion to stop before leaving the operator's seat to perform service of any kind.



It is the operator's responsibility to make daily inspections of the loader and attachment for damage, loose bolts, fluid leaks, or anything else that could cause a potential service or safety problem. Preventive maintenance is the easiest and least expensive type of maintenance.

IMPORTANT: Bolts can loosen after initial usage. After the first hour of operation check all bolts.

LUBRICATION

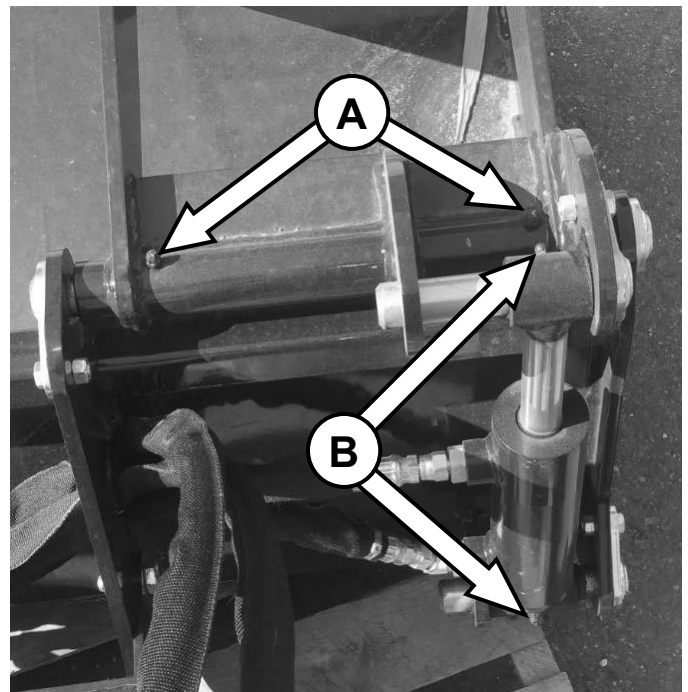
| | | | | |
|---------------------------|---|---|--|--|
| Lubrication Legend |  Multipurpose spray lube |  No. 2 Lithium base gun grease |  Clean engine oil |  50 Intervals at which lubrication is required |
|---------------------------|---|---|--|--|

Use No. 2 lithium base gun grease when lubricating all attachment grease fittings.

| | |
|---|---|
|  |  |
|---|---|

Grease all four hinge bushings **[A]** every **8 hours** of operation, or more frequently during heavy use.

Grease all four cylinder zerks **[B]** every **8 hours** of operation, or more frequently during heavy use.



Tooth Replacement (Optional Tooth Bar)

1. Securely block up the attachment to allow access to the teeth to be replaced.
2. Using a punch and a hammer, pound out the pin and remove the tooth.
3. Use the reverse order to install the new tooth. A vise grip or pliers may be helpful to hold the pin while installing. Use the hammer directly on the pin, the punch is not necessary during installation.

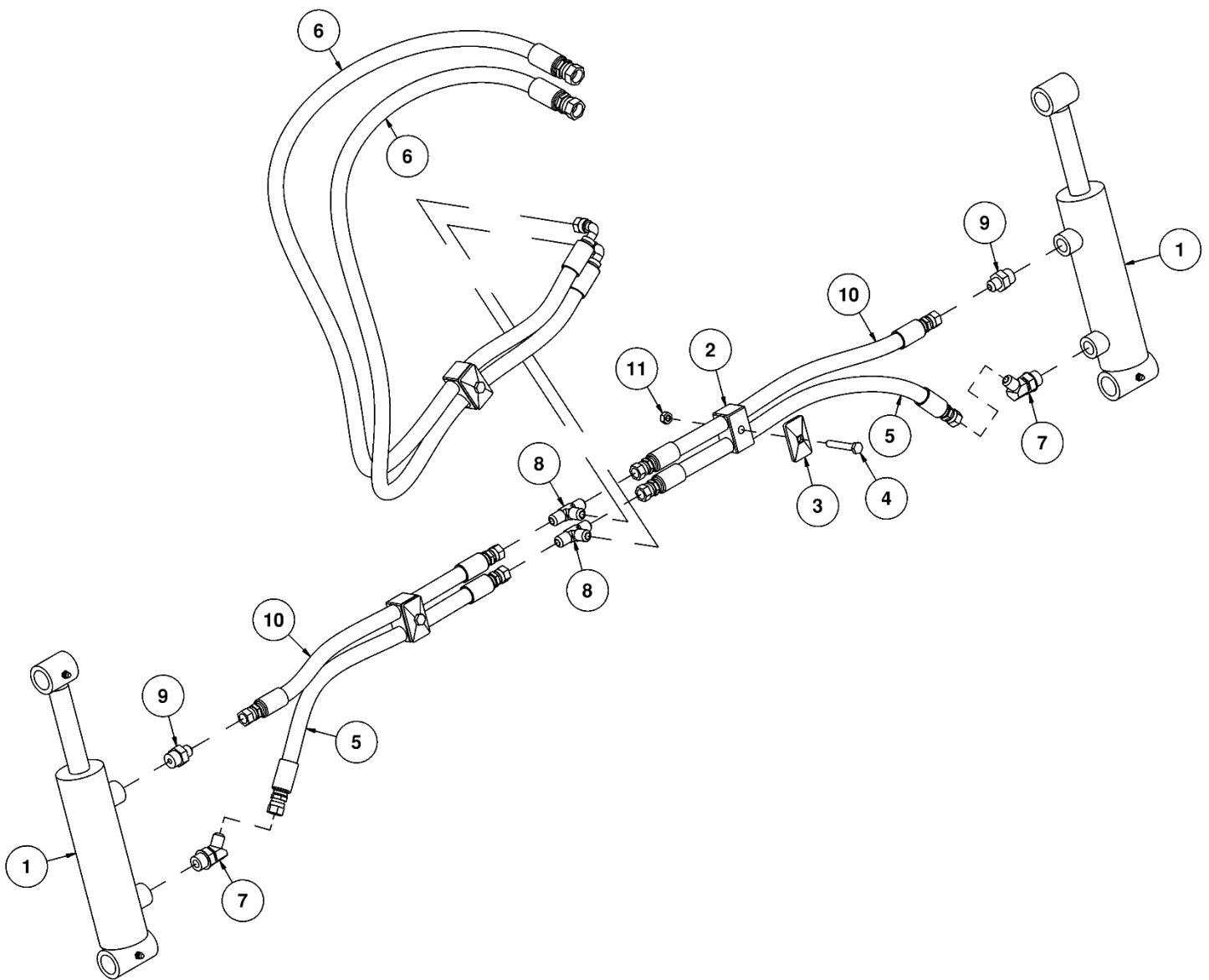
IMPORTANT: Make sure the pin I installed with the side labeled "BACK" facing away from the tip (front) of the tooth.

NOTE: When replacing teeth, always use new pins during installation.



PARTS INFORMATION

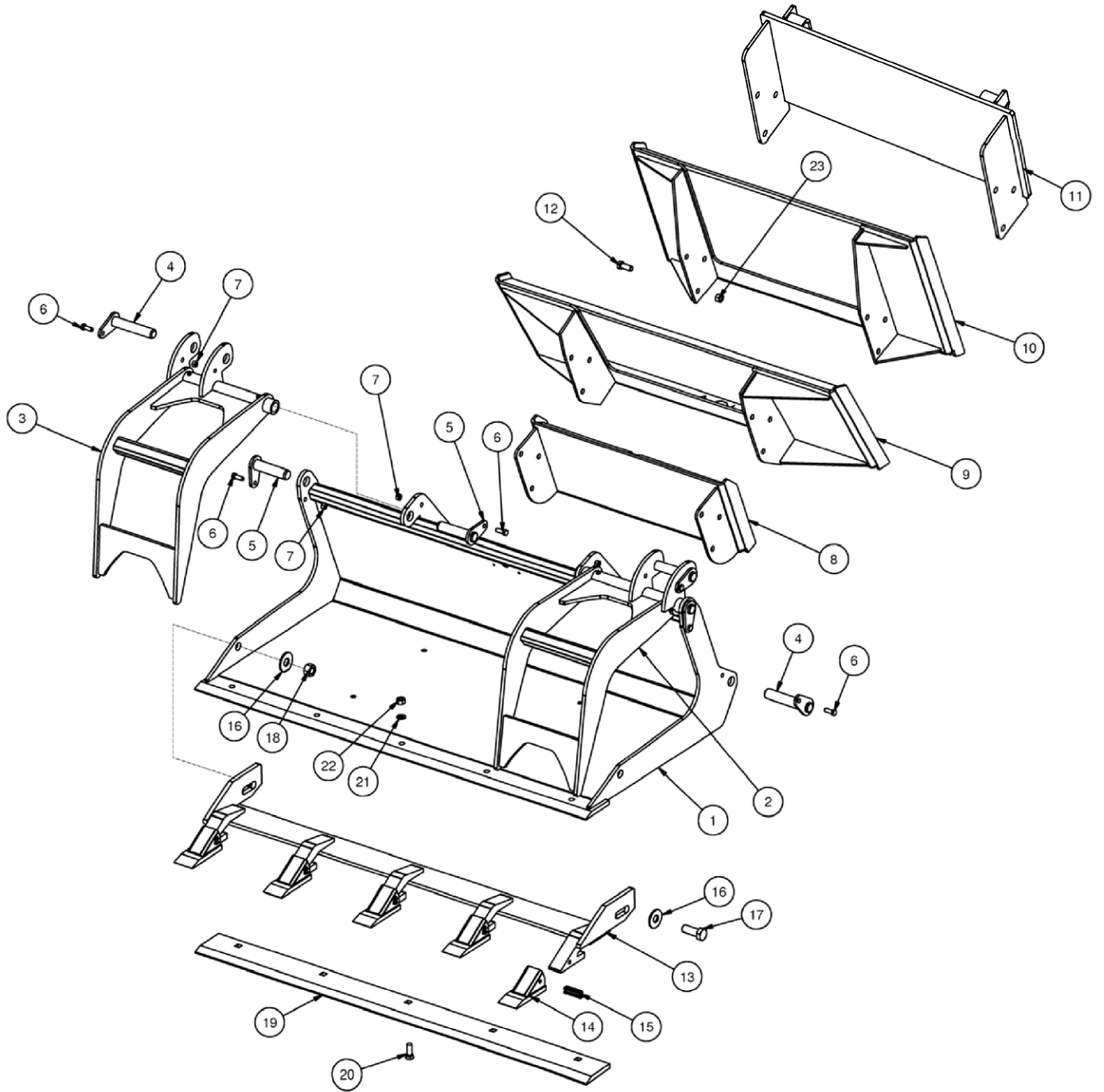
| ITEM | QTY | PART NO. | DESCRIPTION | STOCK NO. |
|------|-----|----------|------------------------------|----------------------|
| 1 | 2 | 400074 | CYLINDER 2 X 4 W/BUSHINGS | |
| 2 | 3 | 316055 | CLAMP TUBELINE 5/8 | |
| 3 | 3 | 316094 | CLAMP TUBELINE 5/8 TOP PLATE | |
| 4 | 3 | 13061 | BOLT HEX 5/16 X 2 NC GR5 | |
| 5 | 2 | 400537 | HOSE 3/8 X 19.5" 6FJX-6FJX | (BASE) BOTTOM |
| 6 | 2 | 400529 | HOSE 3/8 X 72" 8FJX-6FJX90 | LEAD |
| 7 | 2 | 300274 | ADPT ELB 8MB-6MJ-45 | CYL BASE |
| 8 | 2 | 203088 | ADPT TEE 6MJ-6MJ-6MJ | |
| 9 | 2 | 201925 | ADPT STR 8MB-6MJ | CYL ROD |
| 10 | 2 | 400538 | HOSE 3/8 X 19" 6FJX-6FJX | (ROD) TOP |
| 11 | 3 | 37211 | NUT REV LOCK 5/16 NC | |



MINI GRAPPLE BUCKET PARTS INFORMATION

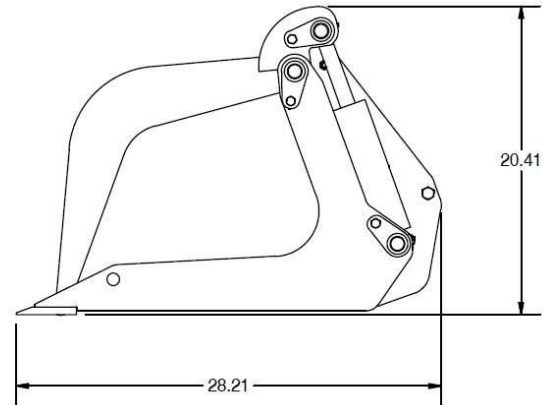
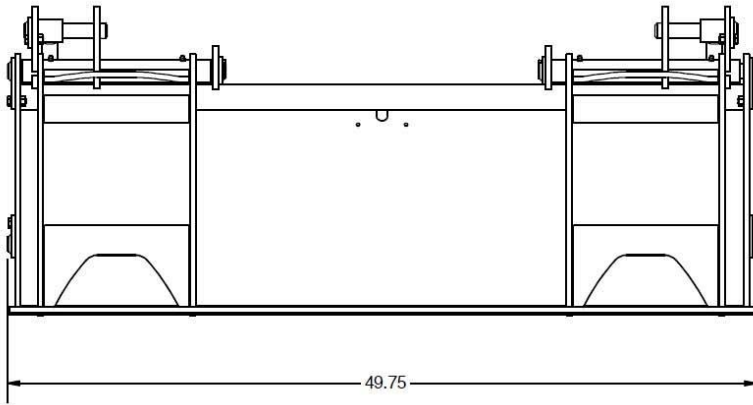
| ITEM | QTY | PART NO. | DESCRIPTION | STOCK NO. |
|------|-----|----------|---------------------------------|--|
| 1 | 1 | 400756 | GRAPPLE BUCKET 48 W/A | |
| 2 | 1 | 400501 | ROD BUCKET GRAPPLE LH W/A | |
| 3 | 1 | 400502 | ROD BUCKET GRAPPLE RH W/A | |
| 4 | 4 | 316026 | PIN 1 X 5 W/A | |
| 5 | 4 | 400041 | PIN 1 X 4 W/A | |
| 6 | 8 | 13105 | BOLT HEX | 3/8 X 1 NC GR5 |
| 7 | 8 | 37212 | NUT REV LOCK | 3/8 NC |
| 8 | 1 | 400000 | MOUNT FRAME TORO MINI W/A | OPT MNT PKG 400540 |
| 9 | 1 | 400001 | MOUNT FRAME ASV MINI W/A | OPT MNT PKG 400541 |
| 10 | 1 | 400002 | MOUNT FRAME BC MINI W/A | OPT MNT PKG 400542 |
| 11 | 1 | 330622 | MOUNT FRAME AVANT MINI W/A | AVANT ADPT MNT PKG 330753 |
| 12 | 6 | 15209 | BOLT 1/2 X 1-1/2 NC GR 8 | OPT MNT PKG |
| 13 | 1 | 400099 | TOOTHBAR 48 W/A | OPT TOOTH BAR |
| 14 | 5 | 312263 | TOOTH BUCKET PIN ON | OPT TOOTH BAR |
| 15 | 5 | 312265 | PIN FLEX TOOTHBAR/ROD BKT | OPT TOOTH BAR |
| 16 | 4 | 33018 | WASHER FLAT USS 3/4 | OPT TOOTH BAR |
| 17 | 2 | 13361 | BOLT 3/4 X 2 NC GR 5 | OPT TOOTH BAR |
| 18 | 2 | 37217 | NUT REV LOCK 3/4 NC GR5 | OPT TOOTH BAR |
| 19 | 1 | 400111 | CUTTING EDGE B 1/2 X 4 X 49.5 | OPT BOLT ON CUT EDGE PKG 400053 |
| 20 | 5 | 22644 | BOLT PLOW 1/2 X 1-3/4 NC GR5 | OPT BOLT ON CUT EDGE PKG 400053 |
| 21 | 5 | 33626 | WASHER LOCK 1/2 | OPT BOLT ON CUT EDGE PKG 400053 |
| 22 | 5 | 36110 | NUT FULL HEX 1/2 NC GR 5 | OPT BOLT ON CUT EDGE PKG 400053 |
| 23 | 6 | 0167011 | NUT FLG TOP LOCK 1/2 NC GR 8 YZ | OPT MNT PKG |

PARTS INFORMATION



GENERAL SPECIFICATIONS

| Model | Mini Grapple Bucket |
|--------------------------------|---------------------|
| Working Width | 48" |
| Overall Width | 49.75" |
| Height – Grapples Closed | 20.41" |
| Length (w/out mount) | 28.21" |
| Max Grapple Opening | 27" |
| Number of Hydraulic Cylinders | 2 |
| Operating Weight (w/out mount) | 250 lbs. |



All dimensions are in INCHES.

Torque-Tension Relationships for SAE J429 Grade Bolts

| Nominal Thread Size | SAE J429 Grade 2 | | | SAE J429 Grade 5 | | | SAE J429 Grade 8 | | |
|-------------------------------------|------------------|-------------------|-------------|------------------|-------------------|------------|------------------|-------------------|------------|
| | Clamp Load (lbs) | Tightening Torque | | Clamp Load (lbs) | Tightening Torque | | Clamp Load (lbs) | Tightening Torque | |
| | | K = .15 | K = .20 | | K = .15 | K = .20 | | K = .15 | K = .20 |
| Unified Coarse Thread Series | | | | | | | | | |
| 1/4-20 | 1,300 | 49 in-lbs | 65 in-lbs | 2,000 | 75 in-lbs | 100 in-lbs | 2,850 | 107 in-lbs | 143 in-lbs |
| 5/16-18 | 2,150 | 101 | 134 | 3,350 | 157 | 210 | 4,700 | 220 | 305 |
| 3/8-16 | 3,200 | 15 ft-lbs | 20 ft-lbs | 4,950 | 23 ft-lbs | 31 ft-lbs | 6,950 | 32.5 ft-lbs | 44 ft-lbs |
| 7/16-14 | 4,400 | 24 | 30 | 6,800 | 37 | 50 | 9,600 | 53 | 70 |
| 1/2-13 | 5,850 | 36.5 | 49 | 9,050 | 57 | 75 | 12,800 | 80 | 107 |
| 9/16-12 | 7,500 | 53 | 70 | 11,600 | 82 | 109 | 16,400 | 115 | 154 |
| 5/8-11 | 9,300 | 73 | 97 | 14,500 | 113 | 151 | 20,300 | 159 | 211 |
| 3/4-10 | 13,800 | 129 | 173 | 21,300 | 200 | 266 | 30,100 | 282 | 376 |
| 7/8-9 | 11,425 | 125 | 166 | 29,435 | 321 | 430 | 41,550 | 454 | 606 |
| 1-8 | 15,000 | 187.5 | 250 | 38,600 | 482.5 | 640 | 54,540 | 680 | 900 |
| Unified Fine Thread Series | | | | | | | | | |
| 1/4-28 | 1,500 | 55 in-lbs | 75 in-lbs | 2,300 | 85 in-lbs | 115 in-lbs | 3,250 | 120 in-lbs | 163 in-lbs |
| 5/16-24 | 2,400 | 112 | 150 | 3,700 | 173 | 230 | 5,200 | 245 | 325 |
| 3/8-24 | 3,600 | 17 ft-lbs | 22.5 ft-lbs | 5,600 | 26 ft-lbs | 35 ft-lbs | 7,900 | 37 ft-lbs | 50 ft-lbs |
| 7/16-20 | 4,900 | 27 | 36 | 7,550 | 42 | 55 | 10,700 | 59 | 78 |
| 1/2-20 | 6,600 | 41 | 55 | 10,200 | 64 | 85 | 14,400 | 90 | 120 |
| 9/16-18 | 8,400 | 59 | 79 | 13,000 | 92 | 122 | 18,300 | 129 | 172 |
| 5/8-18 | 10,600 | 83 | 110 | 16,300 | 128 | 170 | 23,000 | 180 | 240 |
| 3/4-16 | 15,400 | 144 | 193 | 23,800 | 223 | 298 | 33,600 | 315 | 420 |
| 7/8-14 | 12,610 | 138 | 184 | 32,480 | 355 | 473 | 45,855 | 500 | 668 |
| 1-12 | 16,410 | 205 | 273 | 42,270 | 528 | 704 | 59,670 | 745 | 995 |

Clamp load estimated as 75% of proof load for specified bolts.

Torque values for 1/4 and 5/16 inch series are in inch-pounds. All other torque values are in foot-pounds.

Torque values calculated from formula $T = KDF$

where: $K=0.15$ for "lubricated" conditions

$K=0.20$ for "dry" conditions

LIMITED WARRANTY

Erskine Attachments LLC warrants each new machine manufactured by us to be free from defects in material and workmanship for a period of twenty-four (24) months from date of delivery to the original purchaser.

Our obligation under this warranty is to replace free of charge, at our factory or authorized dealership, any part proven defective within the stated warranty time limit.

All parts must be returned freight prepaid and adequately packaged to prevent damage in transit.

This warranty does not cover:

1. New products which have been operated in excess of rated capacities or negligence
2. Misuse, abuse, accidents or damage due to improperly routed hoses
3. Machines which have been altered, modified or repaired in any manner not authorized by our company
4. Previously owned equipment
5. Any ground engaging tools in which natural wear is involved, i.e. tooth tips, cutting teeth, etc
6. Normal maintenance
7. Fork tines
8. Hydraulic motors that have been disassembled in any manor

In no event will the Sales Representative, Dealership, Erskine Attachments LLC, or any other company affiliated with it or them be liable for incidental or consequential damages or injuries, including but not limited to the loss of profit, rental or substitute equipment or other commercial loss. Purchaser's sole and exclusive remedy being as provided here in above.

Erskine Attachments LLC must receive immediate notification of defect and no allowance will be made for repairs without our consent or approval.

This warranty is in lieu of all other warranties, express or implied by law or otherwise, and there is no warranty of merchantability or fitness purpose.

No agent, employee, or representative of Erskine Attachments LLC has any authority to bind Erskine Attachments LLC to any warranty except as specifically set forth herein. Any of these limitations excluded by local law shall be deemed deleted from this warranty; all other terms apply.

This warranty may not be enlarged or modified in any manner except in writing signed by an executive officer of Erskine Attachments LLC to improve its products whenever it is possible and practical to do so. Erskine Attachments LLC reserves the right to make changes and or add improvements at any time without incurring any obligation to make such changes or add such improvements to products previously sold.

Erskine Attachments LLC
P.O. Box 1083 Alexandria, MN 56308
Phone (218) 435-4045 Fax (218) 435-5293



P/N 400759
Erskine Attachments LLC

Date Printed: 8/25/2025

Printed in U.S.A.